

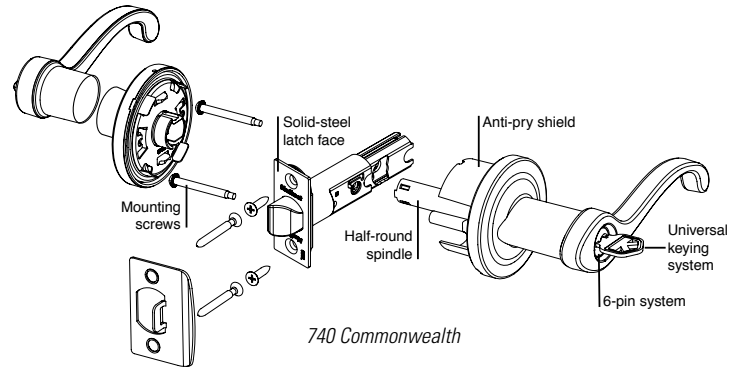
LEVERS

Specifications

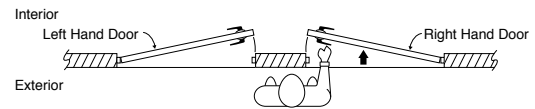


ULTRAMAX LEVERS

Door Prep	Cross Bore 2-1/8" Edge Bore 1" Latch Face 1" x 2-1/4".
Backset	Adjustable to 2-3/8" or 2-3/4".
Door Thickness	1-3/8" – 1-3/4" doors standard. 2-1/4" doors optional on 720 and 740 models.
Cylinder	6-pin removable core.
Faceplate	1" x 2-1/4". Specify round corner, square corner or drive-in.
Strikes	2-1/4" full lip. Specify round corner or square corner. Other options available.
Bolt	1/2" throw. Nickel plated.
Door Handing	Specify handing when ordering entry and dummy functions.
ANSI/BHMA	A156.2 Grade 2.
ADA	Functions 720, 788 satisfy section 4.13.9. ADA requirement.
UL	N/A



Door Handing

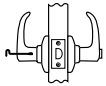


Right hand shown

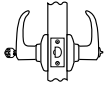
FUNCTIONS



Passage/Hall/Closet: Both levers always free.
– 720 F75



Privacy/Bed/Bath: Both levers locked or unlocked by turnbutton inside. Outside lever unlocked by emergency key.
– 730 F76



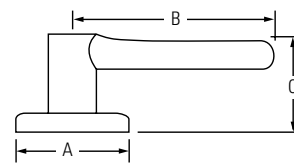
Keyed Entry Lever: Outside locked or unlocked by key outside or turnbutton inside.
– 740 F82



Half Dummy Trim, Surface Mounted: For doors where only a pull is required. No operation.
– 788

Note: ANSI/BHMA functions are listed in italics.

DIMENSIONS



Design	A	B	C	C (Keyed)
Brooklane®	2-5/8"	4-3/16"	2-3/16"	2-7/8"
Commonwealth®	2-5/8"	3-5/8"	1-15/16"	2-11/16"
Pembroke™	2-5/8"	4-7/32"	2-7/16"	2-7/8"

OPTIONS

Description	See Page	Note
Split Finishes		Price is higher of two finishes.
Keying	58	Keyed Alike (KA) is standard.
2 1/4" thick door screw pack	60-61	
Faceplates		Included. Specify round corner, square corner or drive-in.
Strikes	51-52	Included. Specify round corner, square corner or full round.
Latches	47-50	Adjustable to 2 3/8" or 2 3/4". Specify round corner, square corner or drive-in.
Cylinder core & housing	54-55	